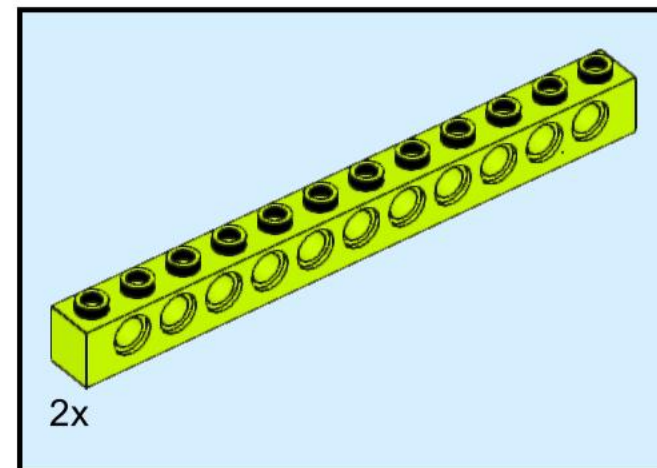
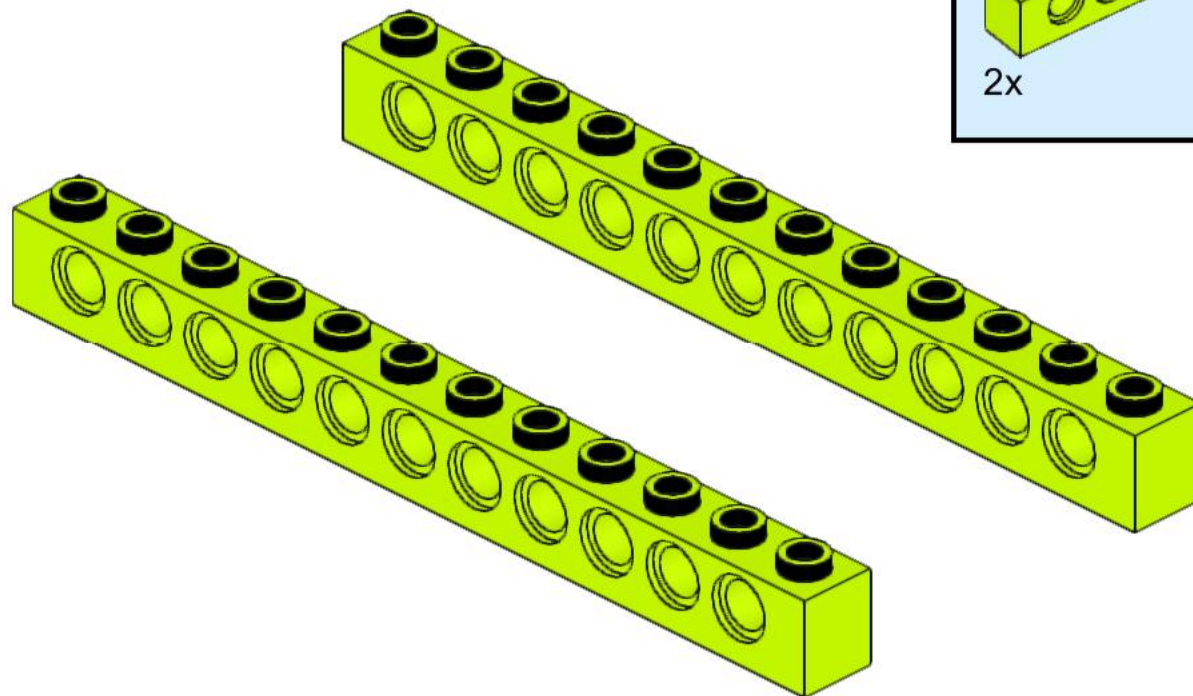
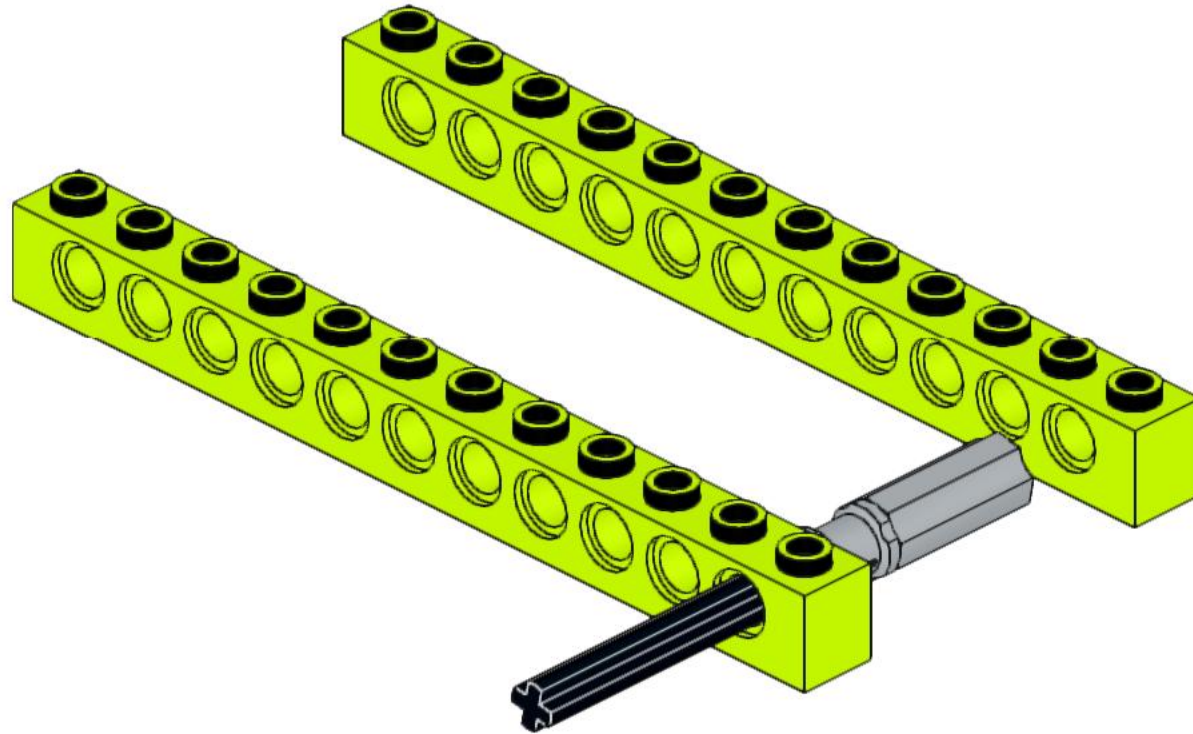
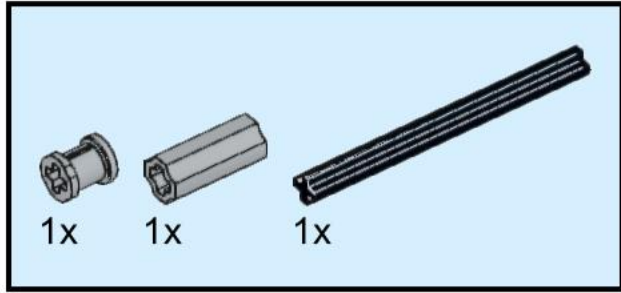


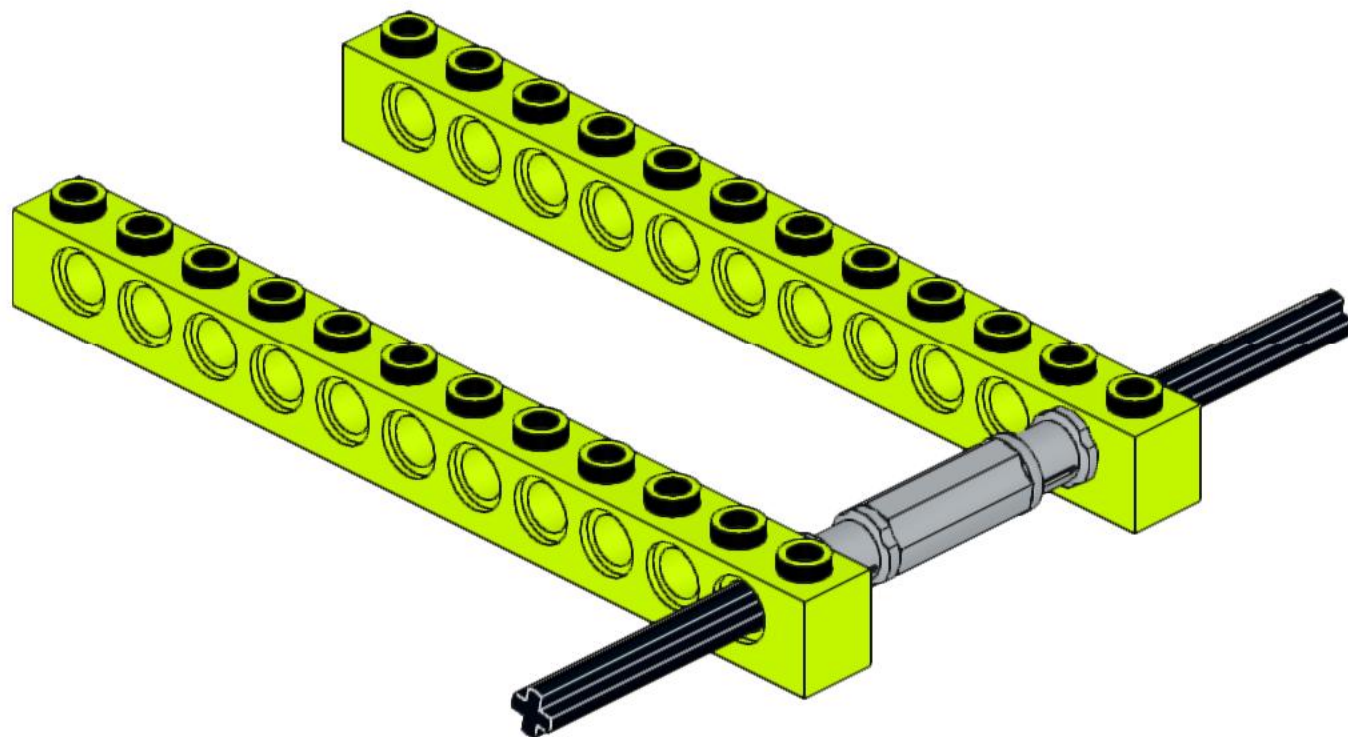
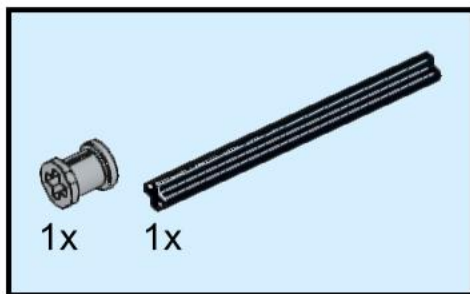
1



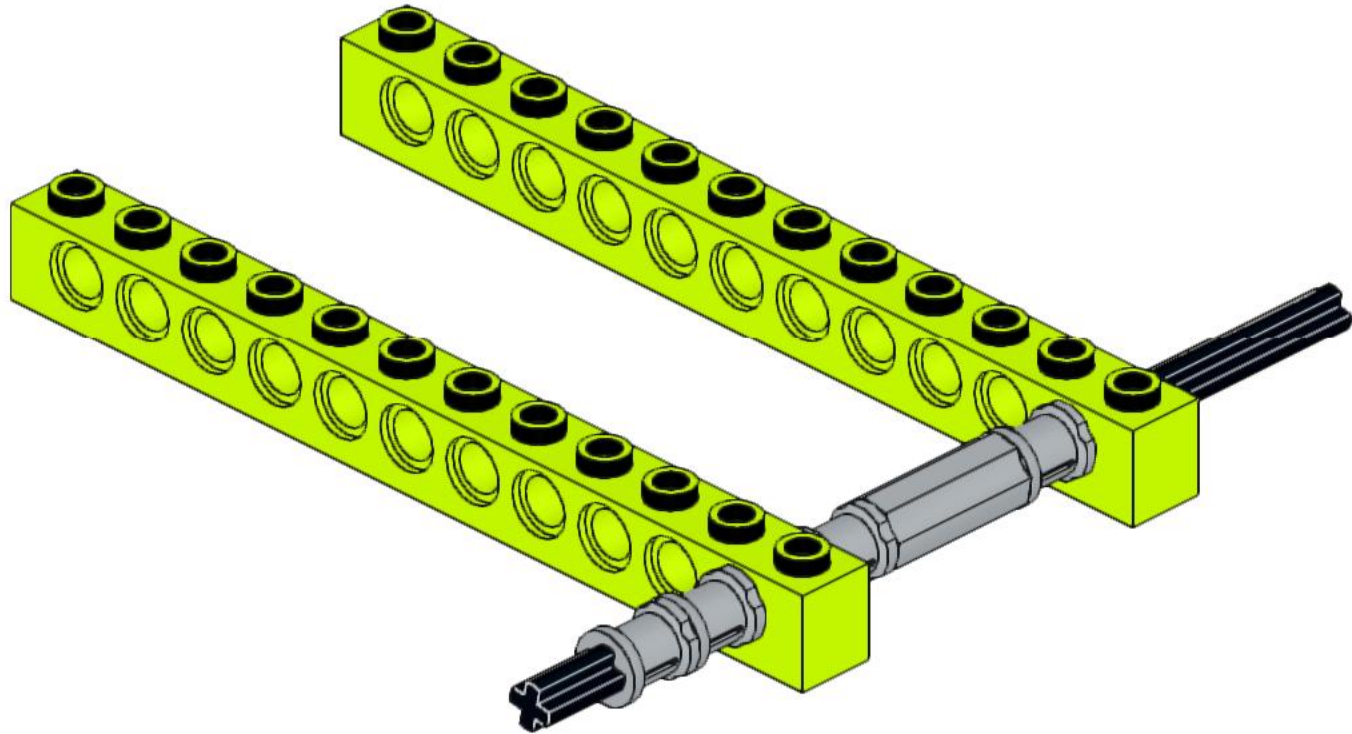
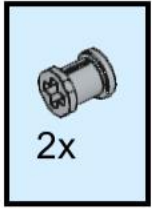
# 2



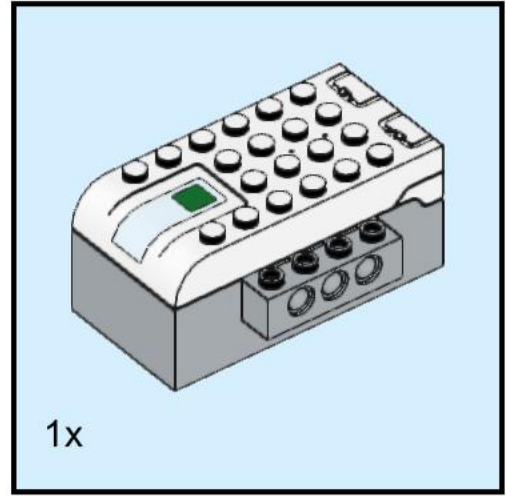
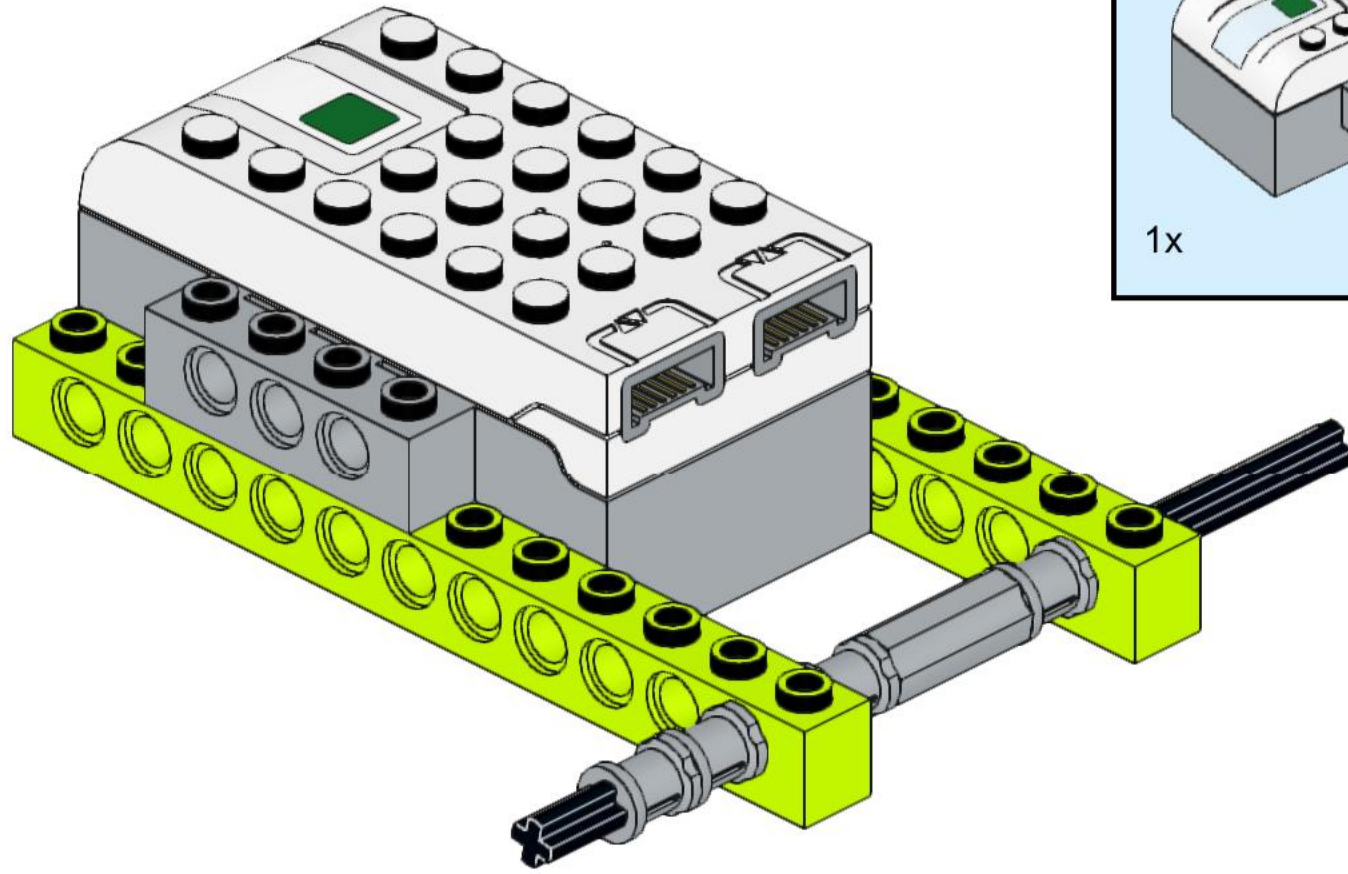
3



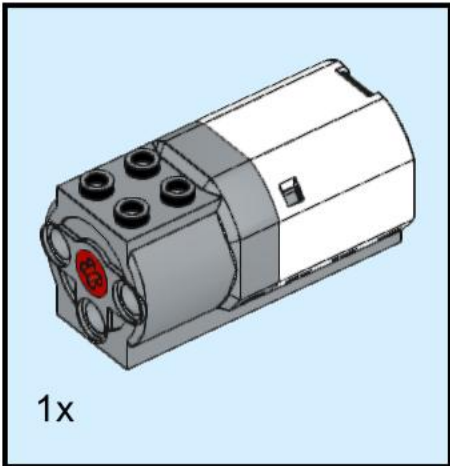
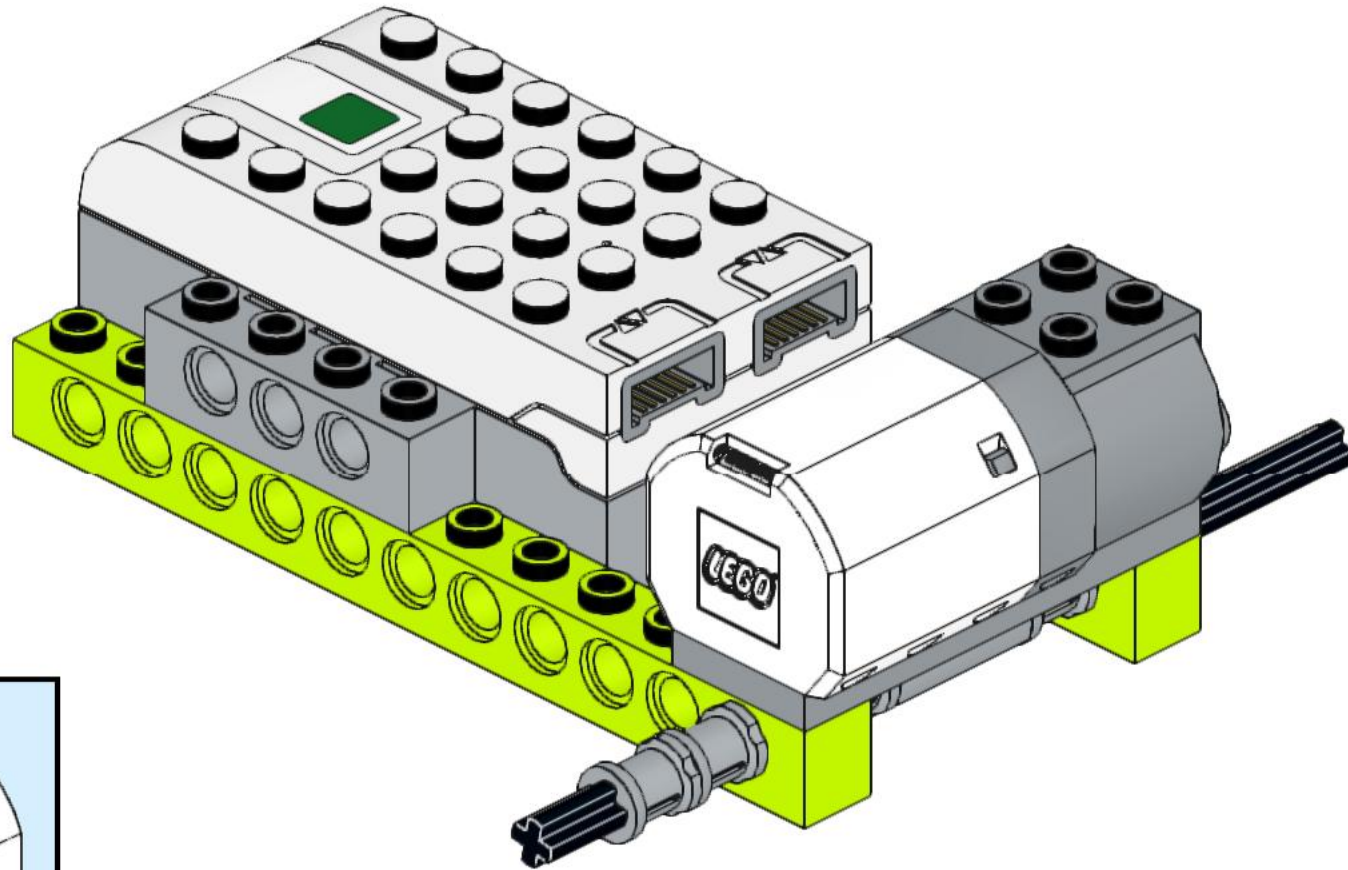
4



5

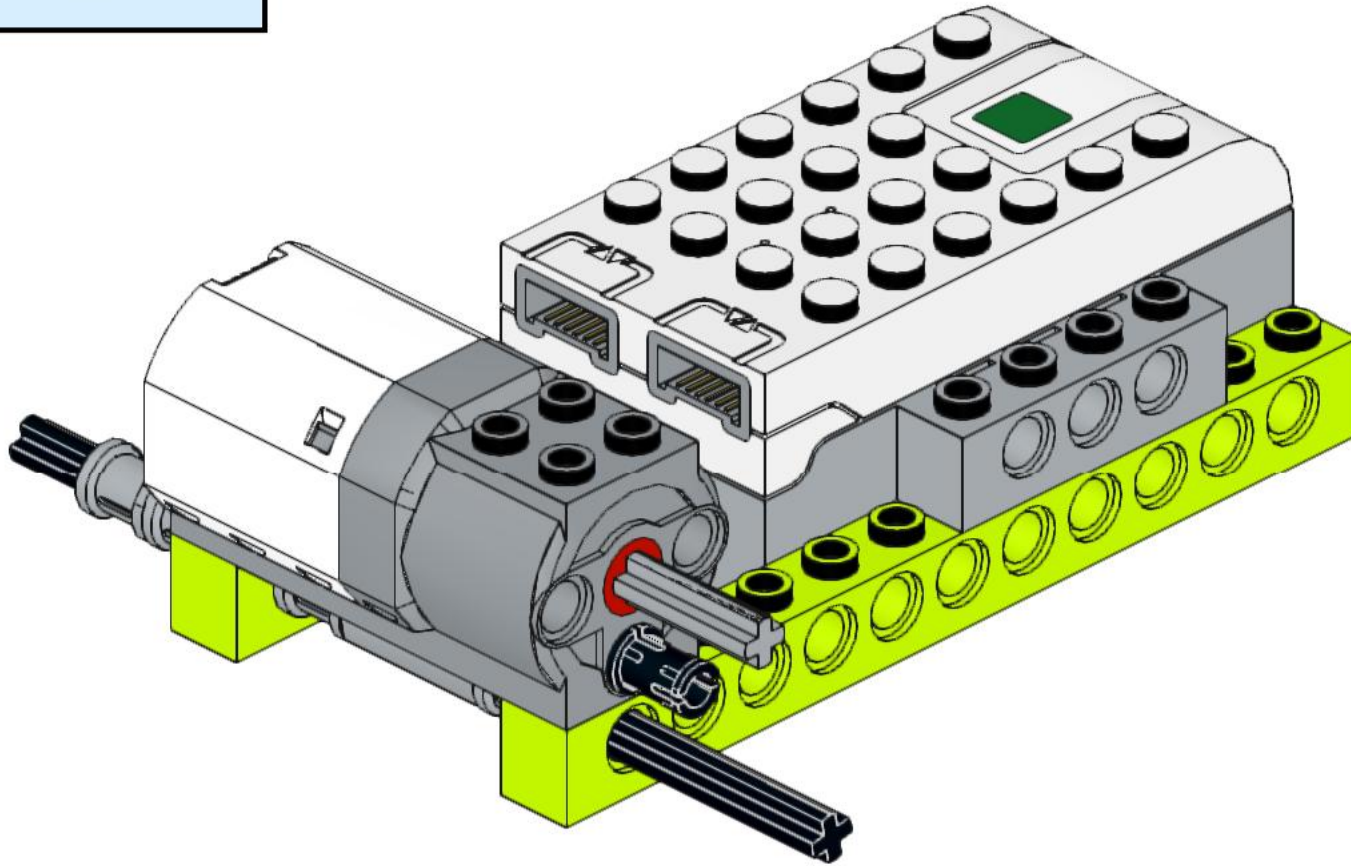
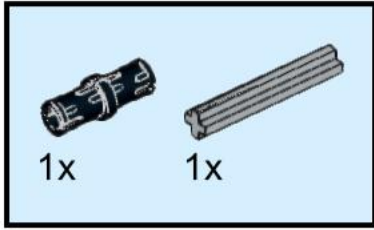


6

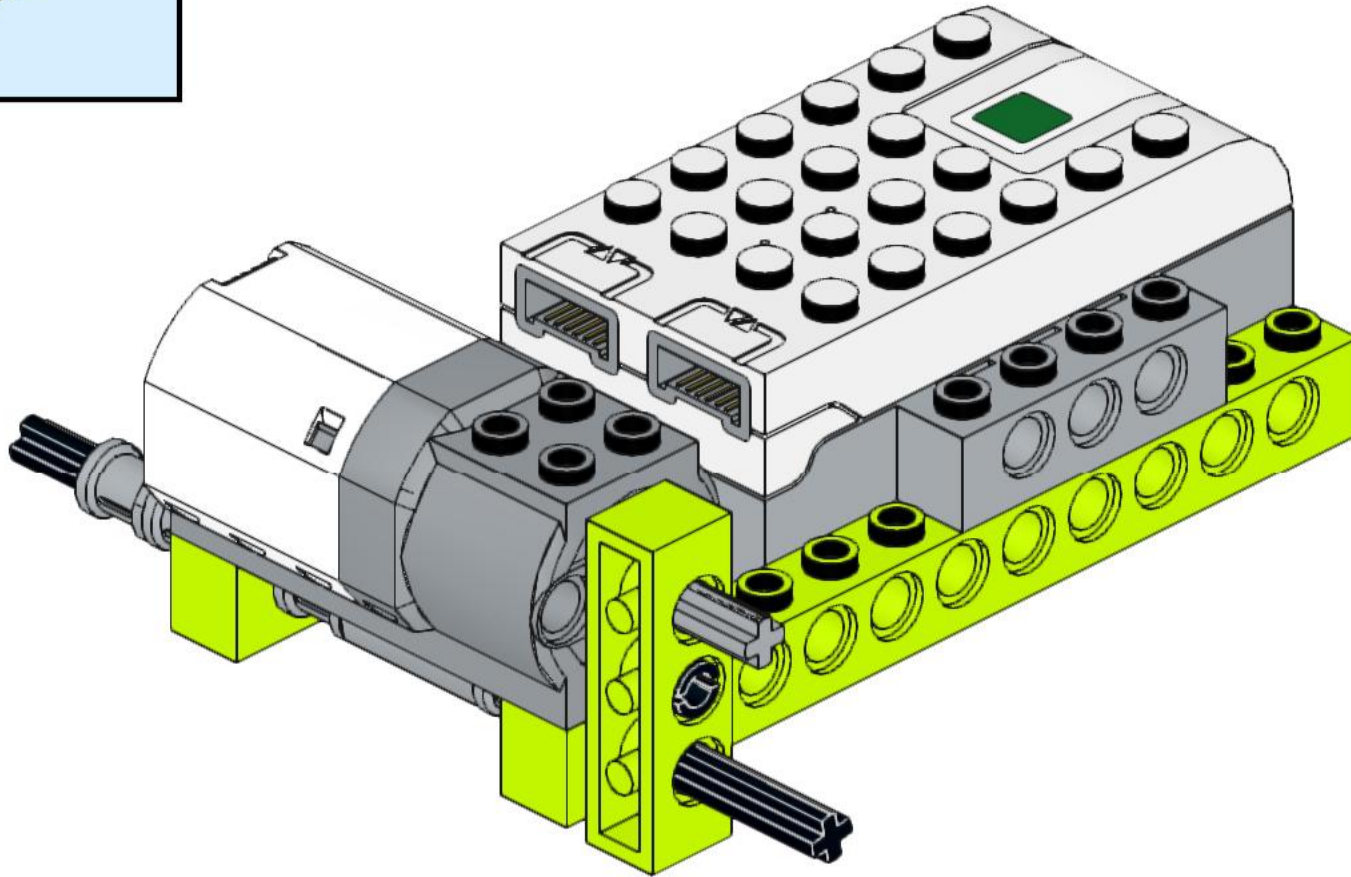
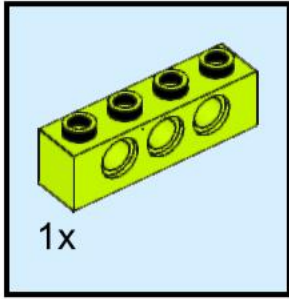


1x

7

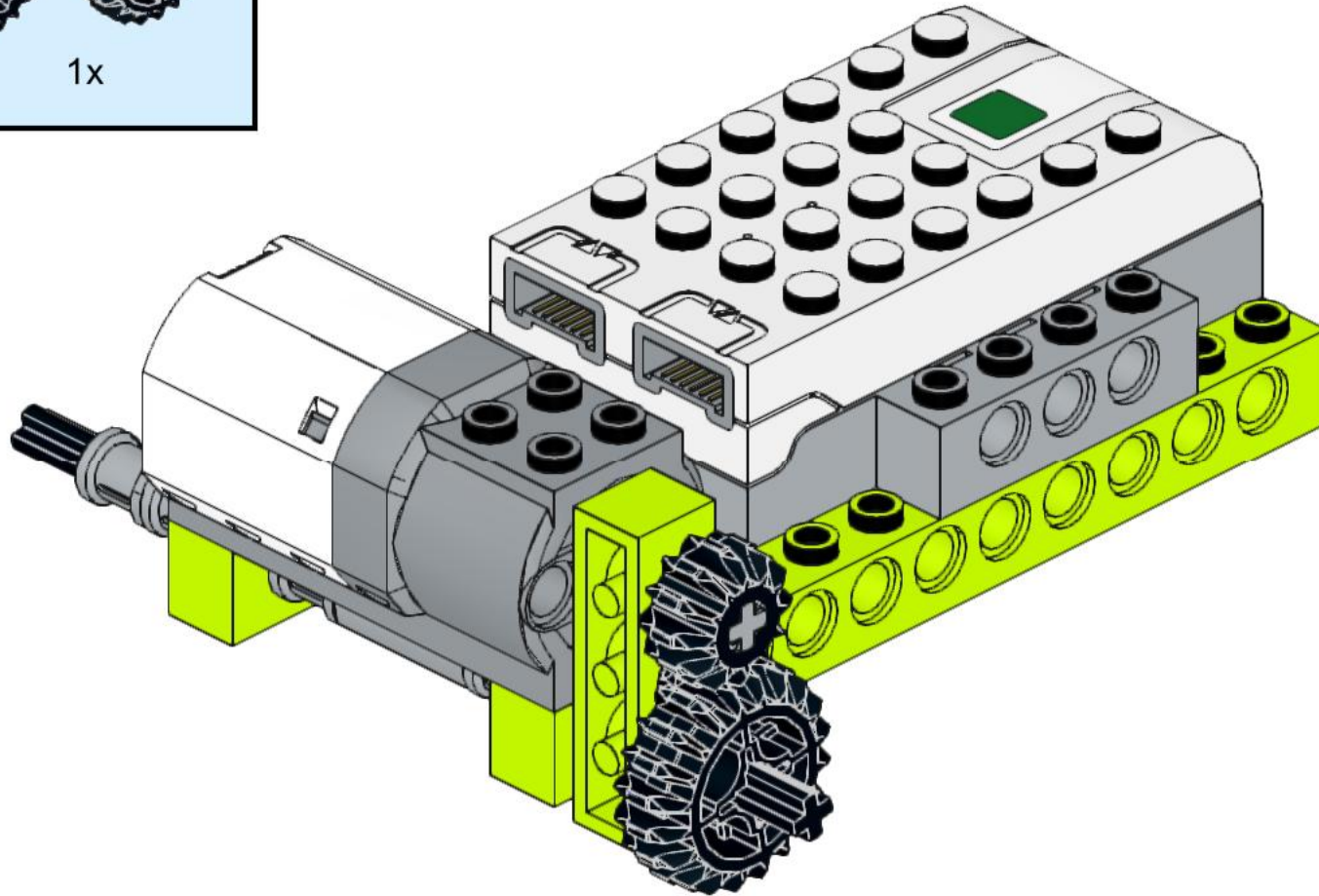
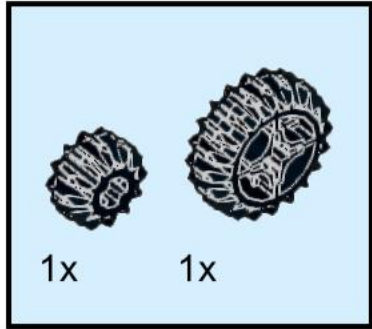


8

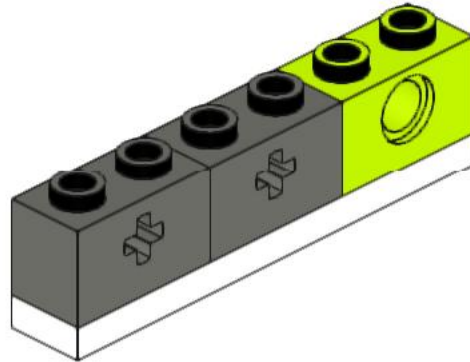
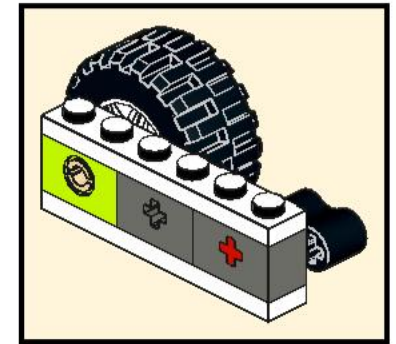
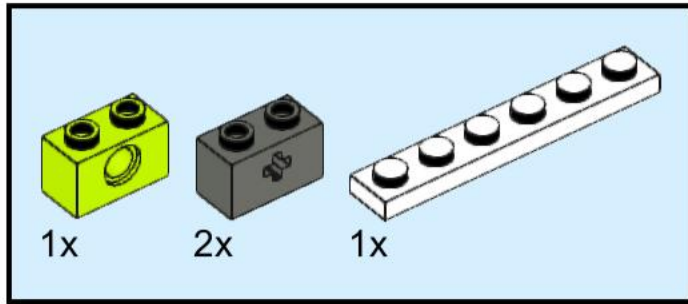




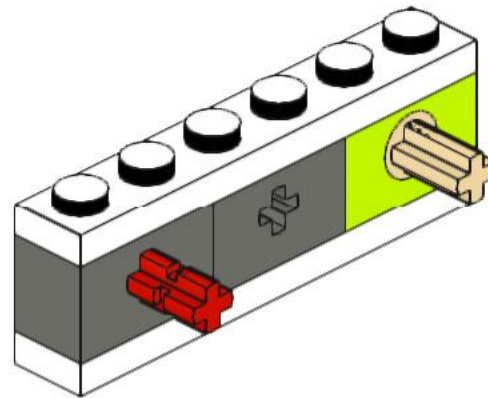
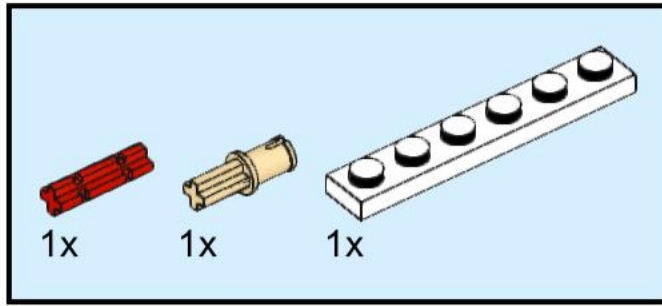
9



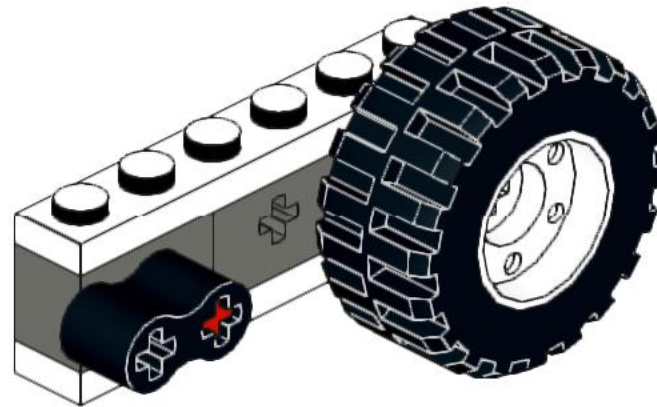
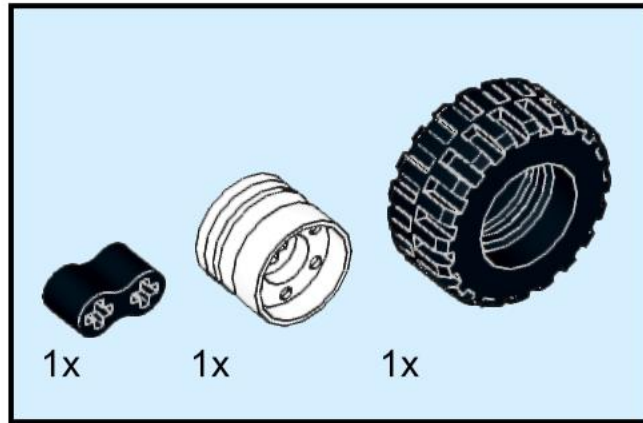
# 10



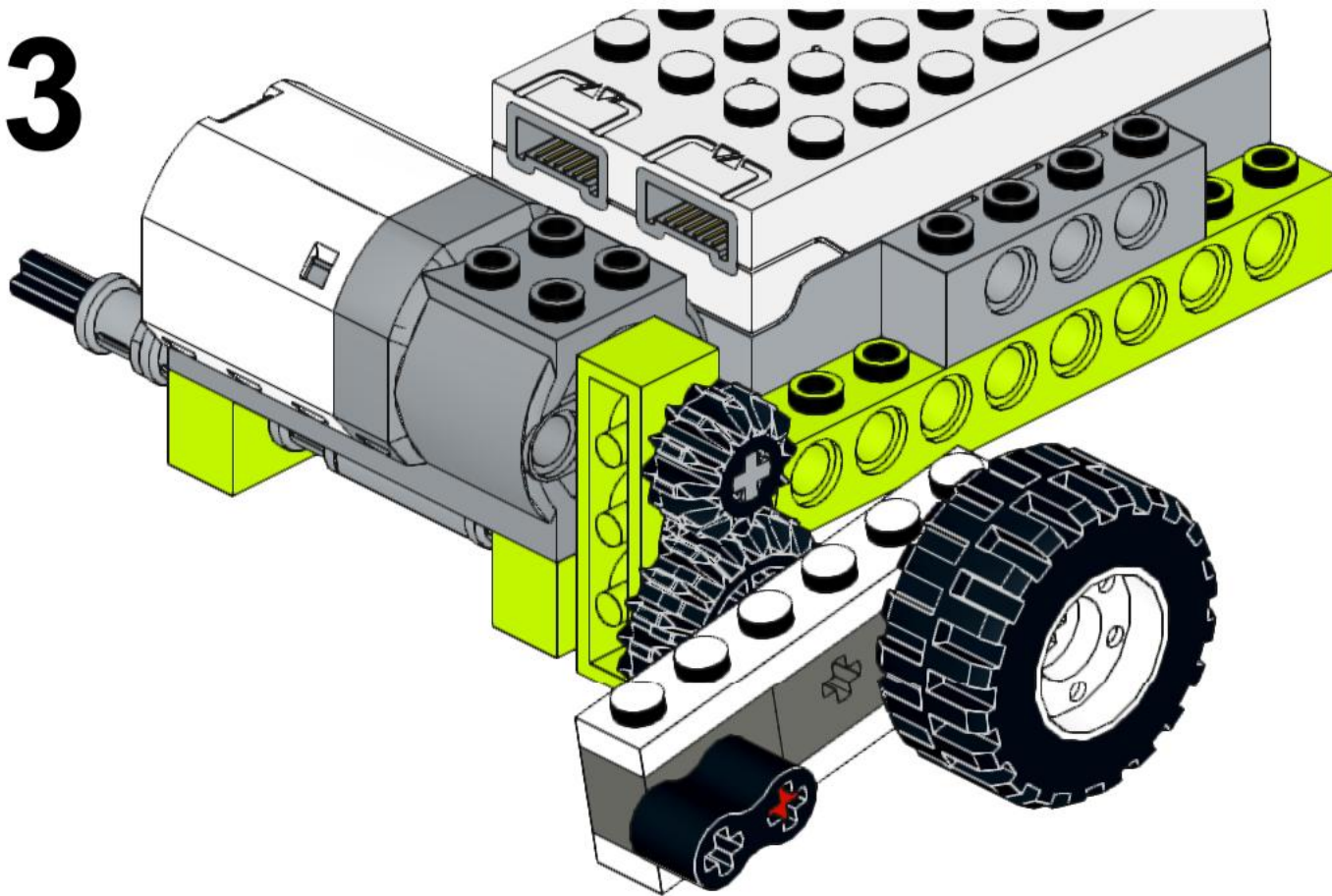
# 11



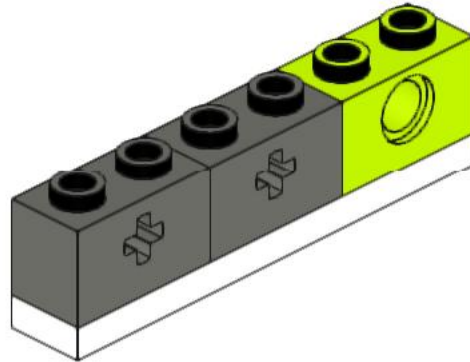
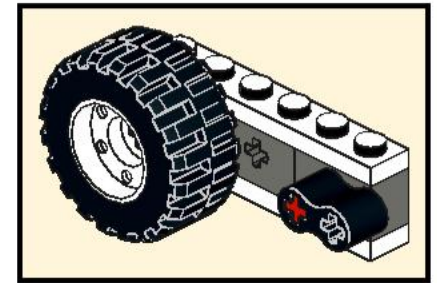
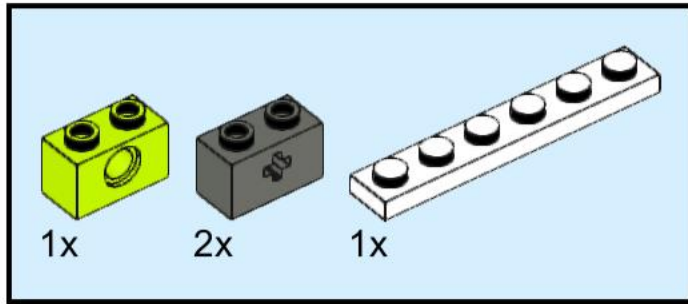
# 12



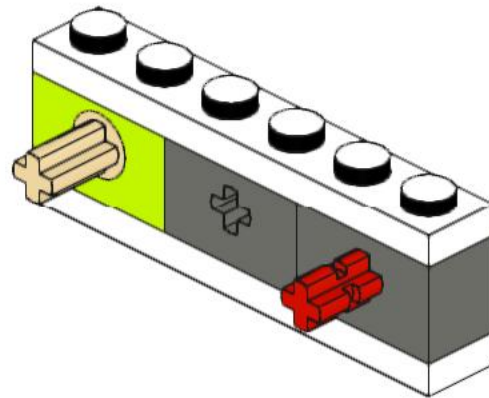
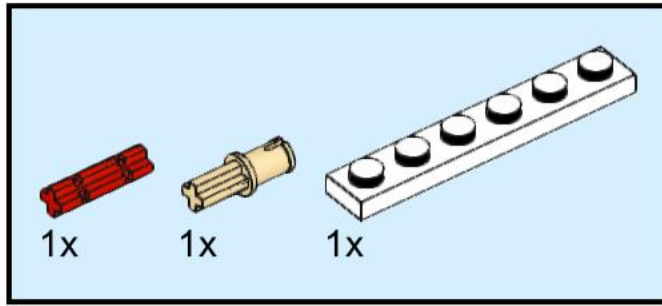
13



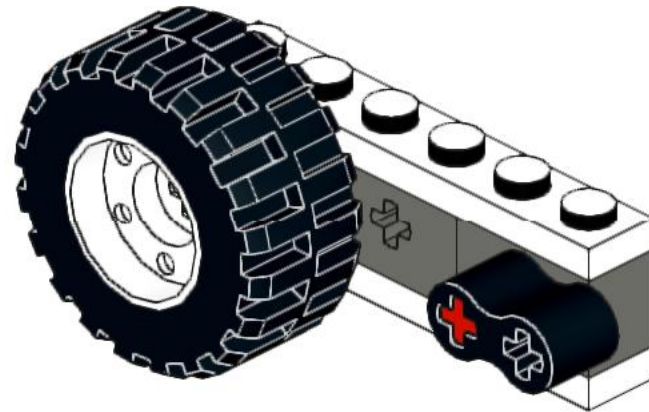
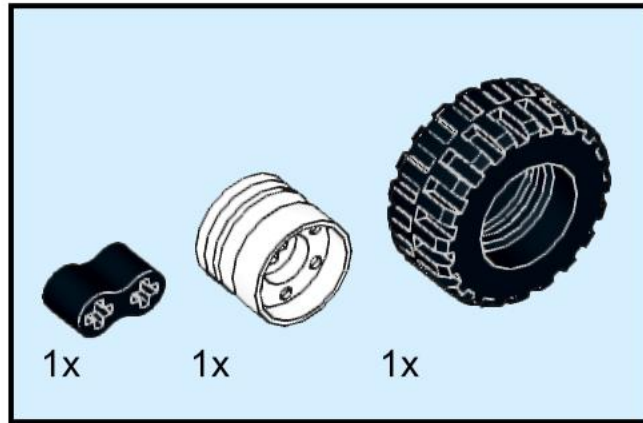
# 14



# 15

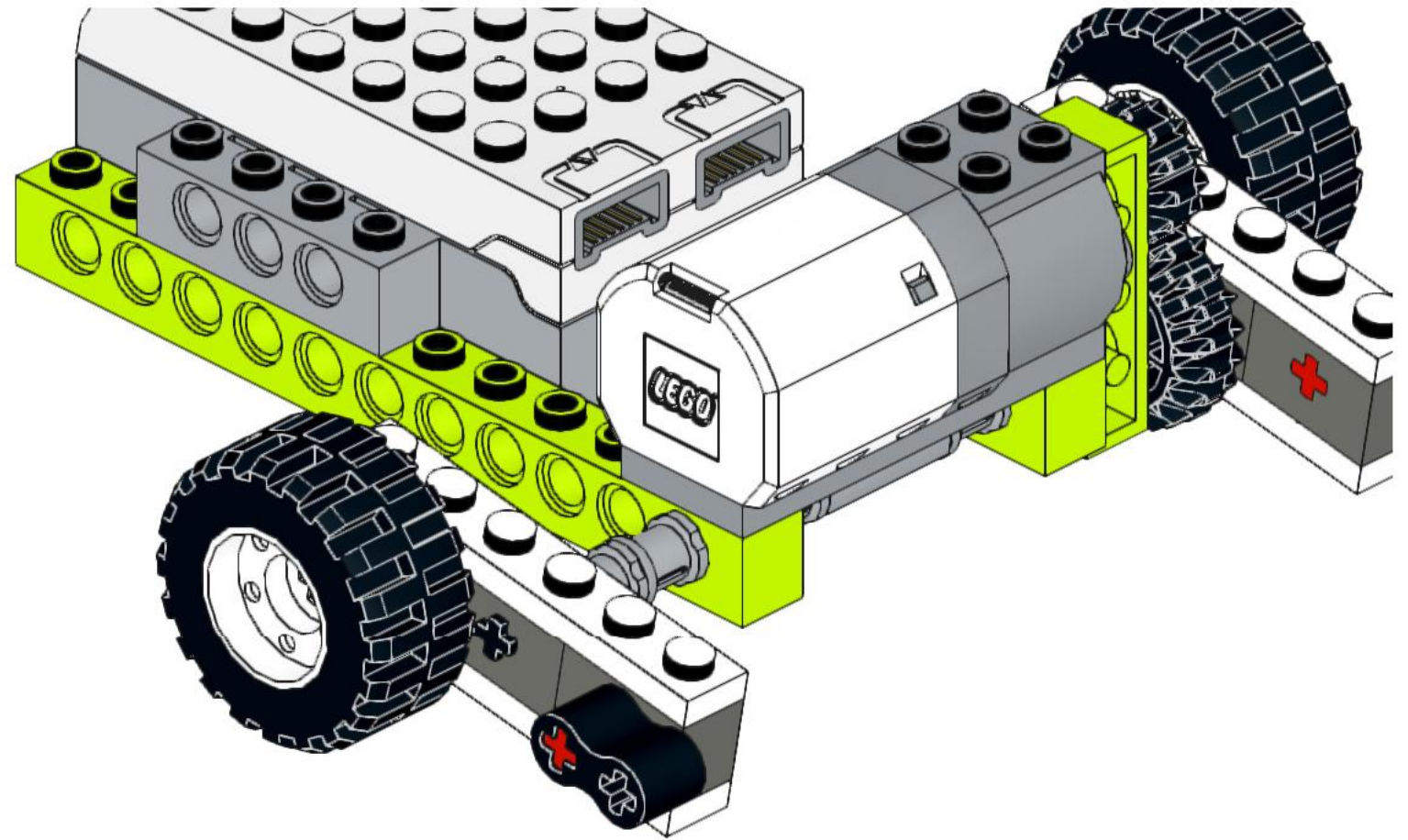


# 16

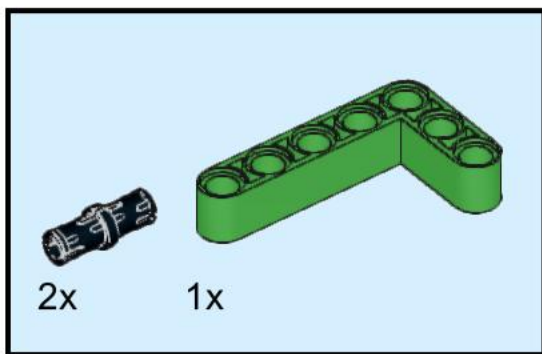
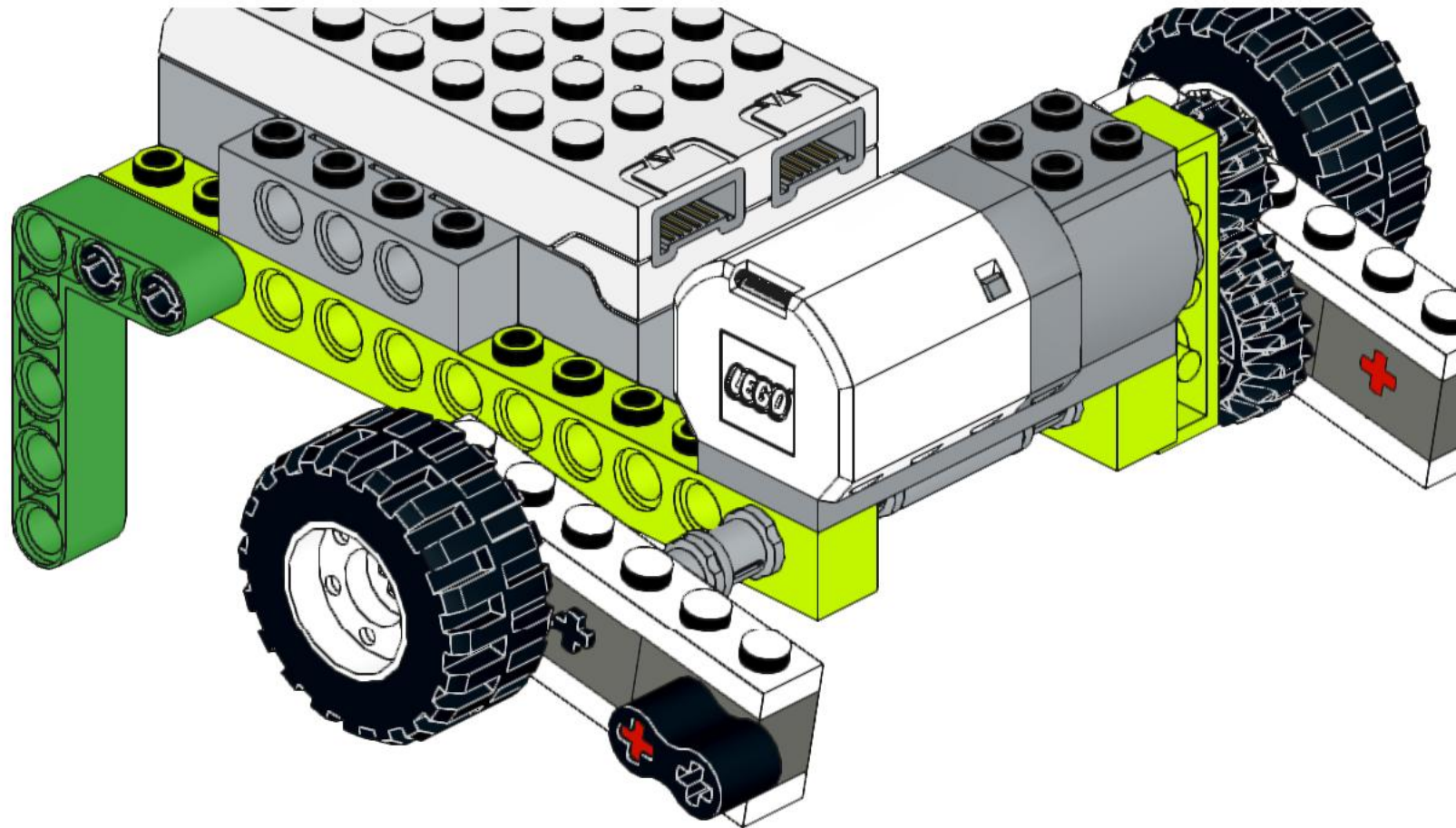




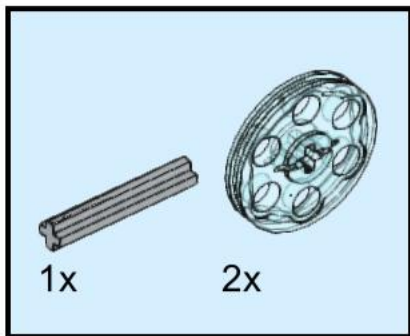
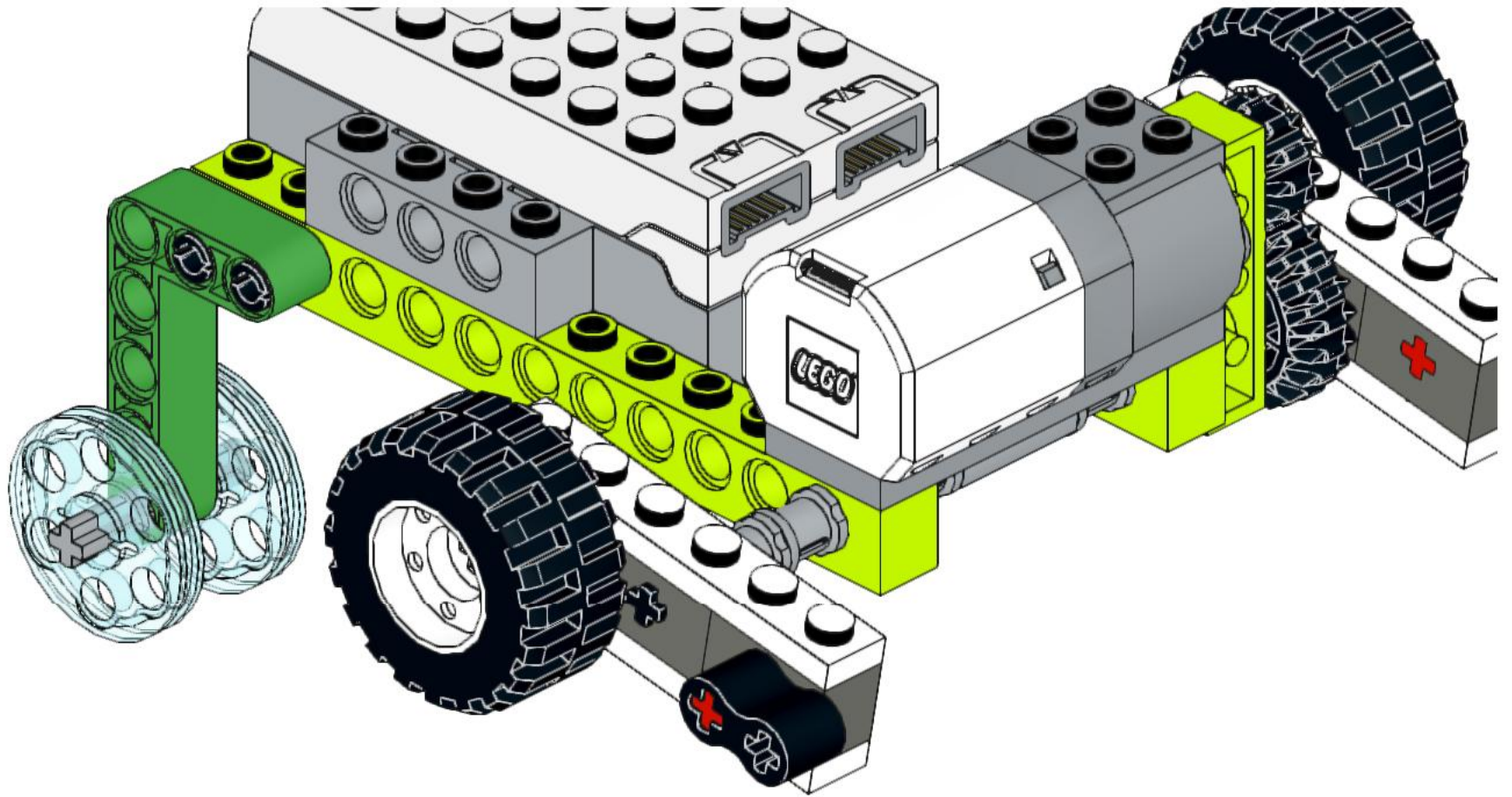
17



# 18

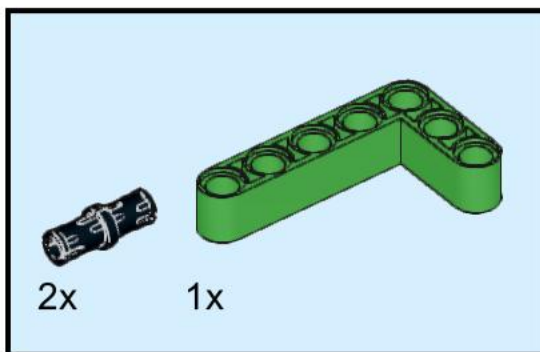
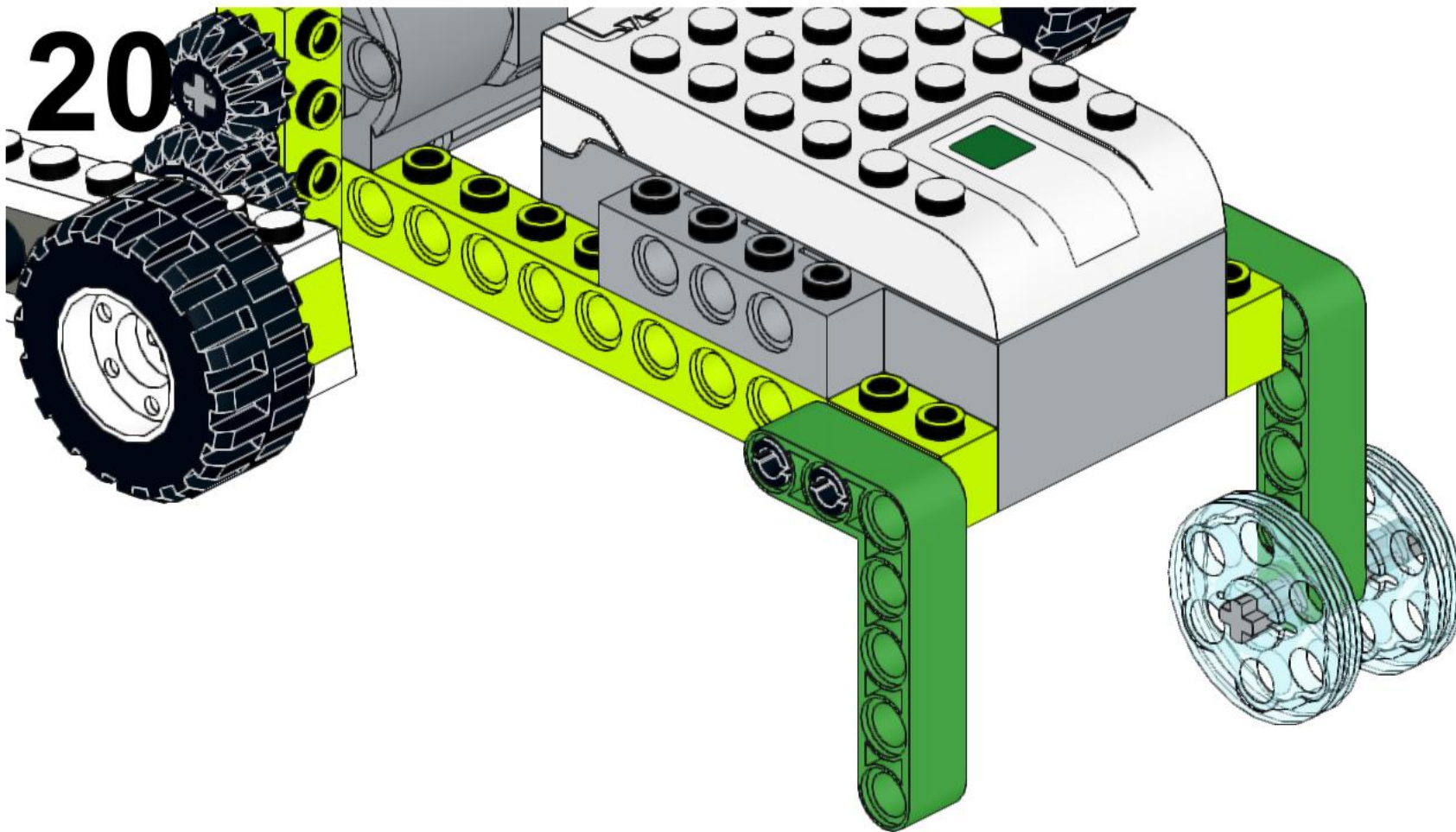


# 19

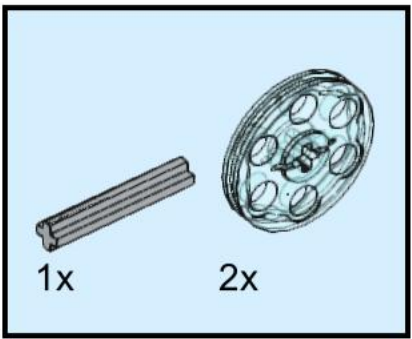
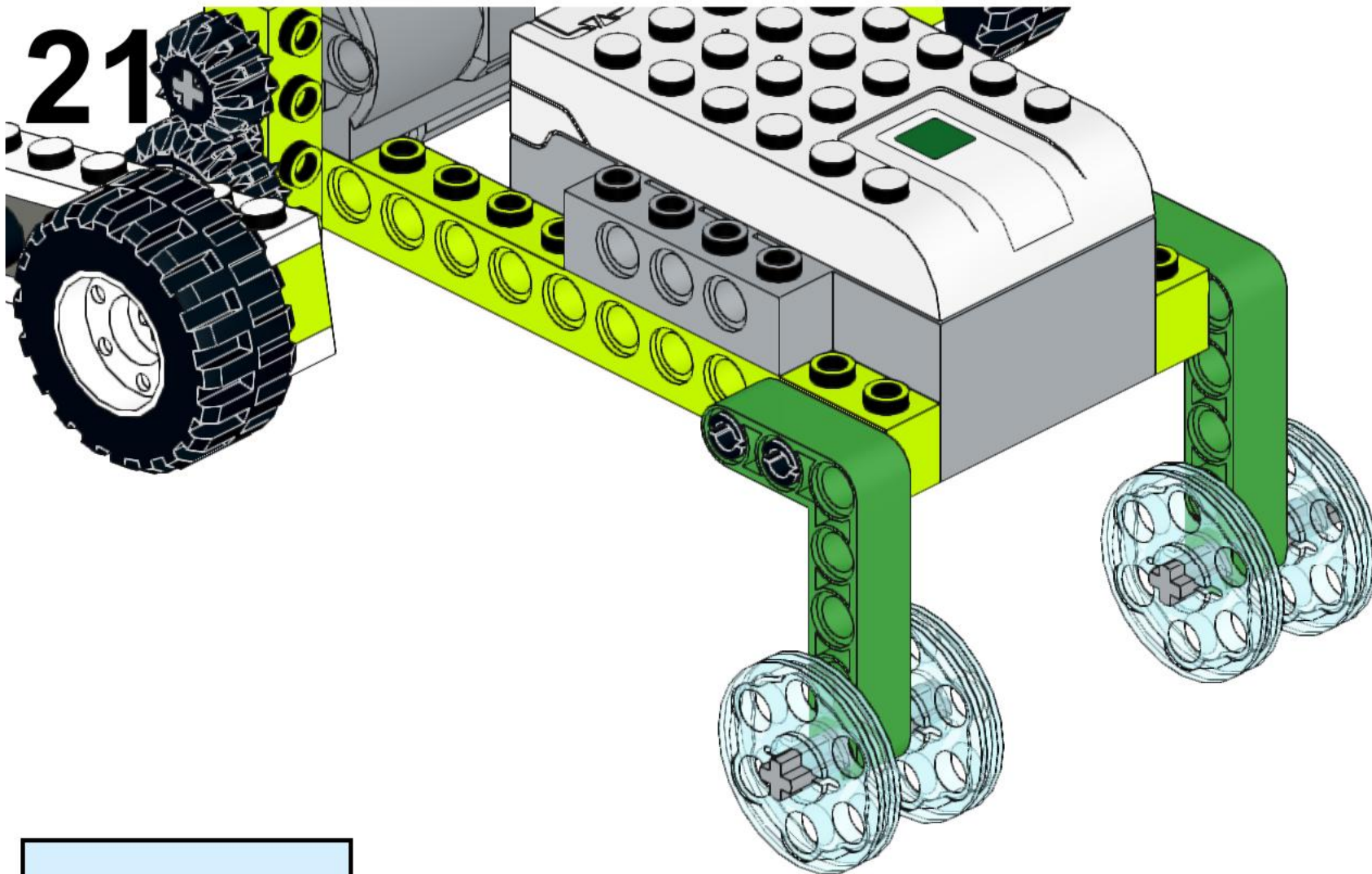


1x

2x



21



# 22

